

TRM Sensors LLC Data Sheet

TRM Easy5 Panel

Leak Detection Monitor Panel

Product Description

TRM Easy5 Panel is a UL508A Certified panel ready to mount on the wall in any indoor space. The sheet metal enclosure is rated NEMA 1 (IP 10). The panel contains a universal power supply, a fused power disconnect, a TRM Easy5 Relay and all internal wiring. Terminal blocks are provided for all field connections including line voltage supply, sensors, output relays for connection to premises BMS or other existing alarm systems. Separate relay contacts are provided for control of a remote alarm unit that can be mounted adjacent to the TRM Easy5 Panel or remotely in a staffed location.

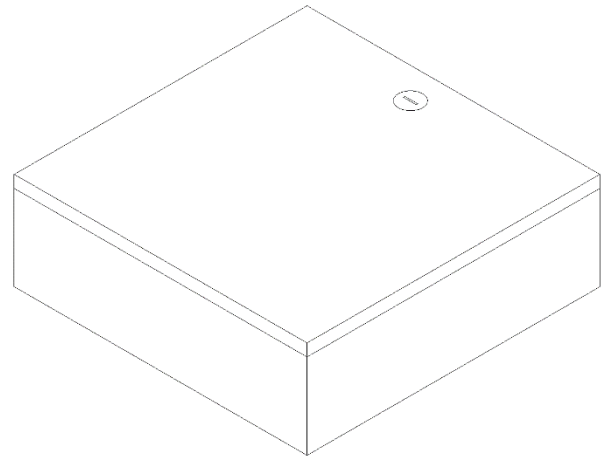
The heart of the TRM Easy5 Panel is the TRM Easy5 Relay. The Easy 5 Relay is a micro-PLC manufactured by Eaton Corporation and programmed by TRM Sensors for use with TRM fuel/oil and water sensor probes. In the default configuration, the Easy 5 relay and panel are configured to monitor up to 20 TRM DFS-3 indoor diesel fuel sensors in (two loops of 10). The monitoring mode for a single TRM-CC sump/containment probe can be reconfigured in the field..

Other functions and configurations can be achieved with customized programming. Contact the factory for special needs

The panel as a whole is UL508A certified. All internal components are UL or CSA approved. Sensor probes can be installed in Hazardous areas when necessary with the addition of zener safety barriers.

Key Features

- UL 508A Certified
- Monitor up to 20 TRM-DFS-3 indoor diesel fuel sensors.
- 250V 8A output relays for connection to existing BMS or alarm panels
- Separate relays to control local/remote alarm indicator
- Universal line voltage power supply: 100-240 Vac
- 12" x 12" x 4" NEMA 1 sheet metal enclosure



Product Specifications

- Power Source: 100 to 240 Vac 50/60 Hz
- Internal Fuse: 1A in quick disconnect power block
- NEMA 1 (IP10) sheet metal enclosure suitable for indoor wall mount or within appropriate outdoor cabinet.
- Dimensions: 12" x 12" x 4" (nominal).
- Weight: 12 lb. (4.5 kg)
- Terminal blocks for all field connections
 - Line voltage, ground
 - Sensor leader cables
 - Output relays to BMS and Remote Alarm
- 4 Output relays: Form-A SPST Normally Open
 - Contact Rating: 8 A @ 250 Vac
- User selectable mode: TRM-DFS-3 or TRM-CC
- Operating Temperature: -13°F to 131°F (-25°C to +55°C)
- Full data sheet for Easy5 Relay and Power Supply available at www.trmsensors.com/documents
- Customized programming available

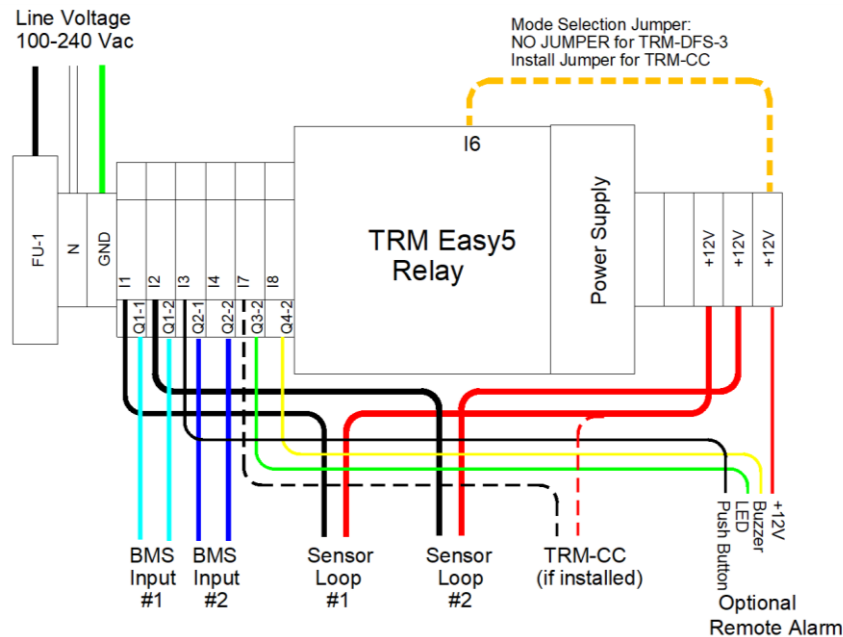
TRM Sensors LLC TRM Easy5 Panel

Mounting / Power / Signal Connections

Mounting:

1. Disconnect ground lead at door panel, remove four machine screws securing back plane.
2. Remove back plane and set aside.
3. Plan entry points for line power; sensor leader cable(s); connections to BMS or other alarm system; remote alarm (if installed). Drill or punch entry points for conduit or cable glands per local code requirements.
4. Attach panel to vertical wall surface using hardware appropriate to surface. Start with two top screws spaced at 10 1/2". Hand panel from top screws; level and tighten then install bottom screws to finish mounting.
5. Reinstall back plane and attach ground lead to door.
6. Remove wire duct covers for easier wire routing.

Field Wiring Connections:



Sensor Loop 1: Red to +12V Black to I1

Sensor Loop 2: Red to +12V Black to I2

TRM-CC (if installed) Red to +12V Black to I7

BMS Input #1: Q1-1, Q1-2 Normally Open Contact

BMS Input #2: Q2-1, Q2-2 Normally Open Contact

Optional Remote Alarm: Red +12V; Green Q4-2; Yellow Q3-2; Black I7

Supply Voltage: Line to FU-1; Neutral to N; Ground to GND. Close fuse block to energize panel.

Jumper from +12V to I6 is not installed for default TRM-DFS-3 mode, install jumper for TRM-CC mode

Note that I and Q terminals are double deck terminal blocks with I inputs on the top level and Q outputs on the lower level